

Double-Ended LED Tube Installation Guide

Bypassing Ballast | Direct Wire

DANGER - RISK OF SHOCK,
Disconnect Power Before Installation



G13



DLC



Fa8



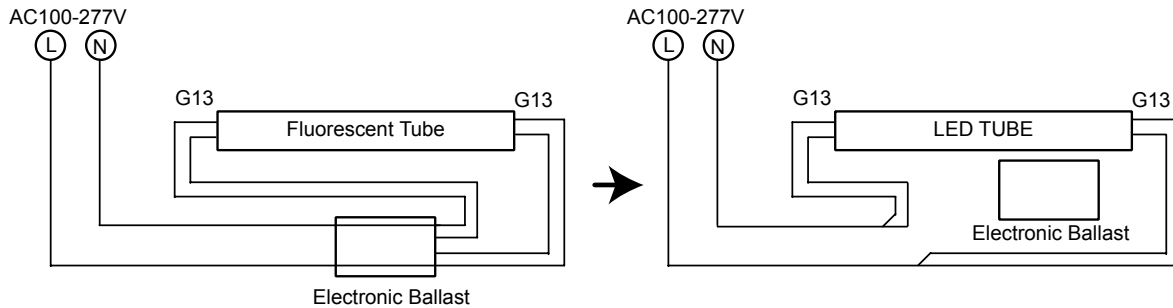
UL



R17D

Steps To Remove / Bypass The Ballast

- 1) Make certain that the fixture's line voltage is compatible with the LED Tube Light.
- 2) Remove the old fluorescent tube from the fixture.
- 3) Remove or bypass ballast by following diagram below* (And starter if present)
- 4) Remove protective pin guard from the LED Tube
- 5) Install LED Tubes with LED's directed to beam their light out of the fixture.

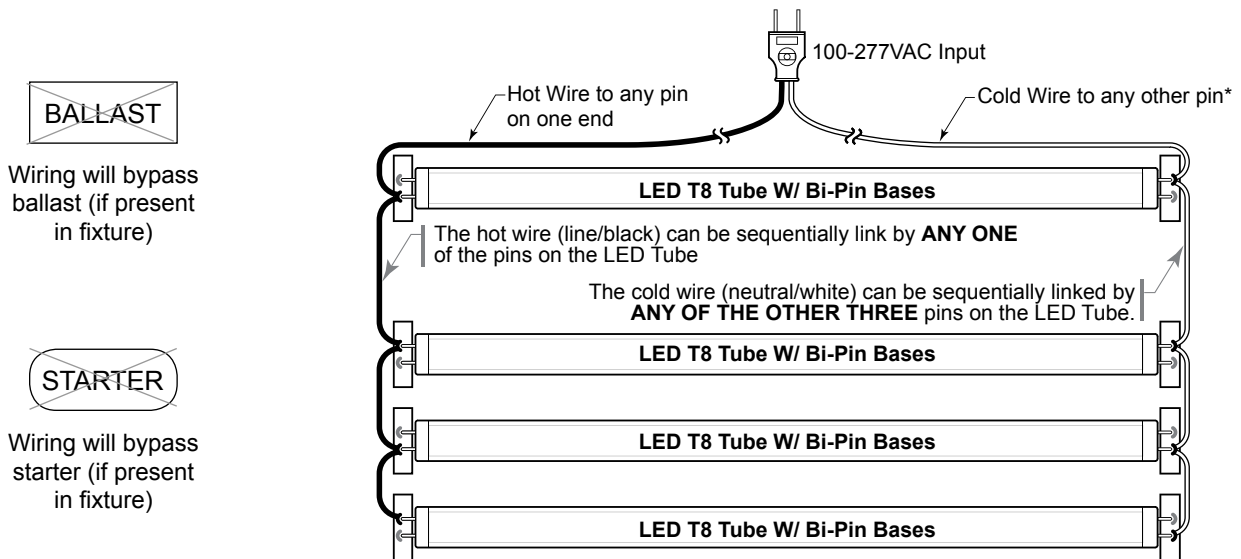


***WIRING EXCEPTION - when bypassing a fluorescent instant-on-ballast:**
If the fixture's **bipin sockets are shunted****, then connect a wire at each end. (Connect hot wire to a pin of the socket at ONE END, and connect cold wire to a pin of the socket at the OTHER END.)
Do not connect both power wires at the same shunted bipin socket end.

****Shunted sockets have a jumper wire connecting the bipins within the socket, and are used in "instant-on" fluorescent fixtures. This wiring exception pertains to converting instant-on ballasted fluorescent fixtures to LED ballast-free fixtures**

Wiring For Fixtures With MULTIPLE TUBES (2, 3, 4-tube fixtures)

- Do Not Use With Dimmer
- Suitable For Dry or Damp Locations



Wiring will bypass ballast (if present in fixture)



Wiring will bypass starter (if present in fixture)

Need Help? Give us a call at +1 (813) 649-8899, and one of our trained lighting specialist will be more than happy to assist you through the process of the installation!