

## WARNING

1. Read all safety precautions and installation instructions carefully before installing or servicing this fixture. Failure to comply with these instructions could result in a potentially fatal electric shock and/or property damage.
2. To reduce the risk of electrical shock or other personal injury, ensure the power is turned OFF at the fuse or breaker box before making any electrical connections.
3. For outdoor use only.
4. Must be connected to 100-277VAC 50/60 Hz power source.
5. Fixture should be mounted to a grounded junction box marked for use in wet locations.
6. Suitable for wall mount and wet locations.
7. NOT suitable for ground locations. Minimum of 4 feet or higher.
8. Light should be installed by a qualified electrician or person experienced with household wiring. The electrical system, and method of electrical connection of the fixture, must be in accordance with the National Electrical Code and local building codes.

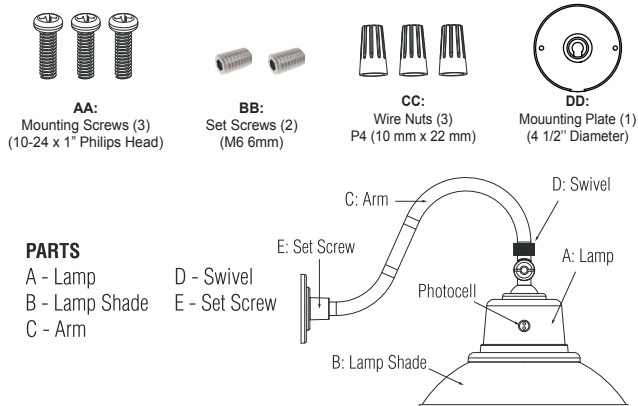
## Pre-Installation

### Planning Installation

Carefully remove the fixture from the carton and check that all parts are included. Be careful not to misplace any of the screws or parts needed for installing the fixture.

### Hardware Included

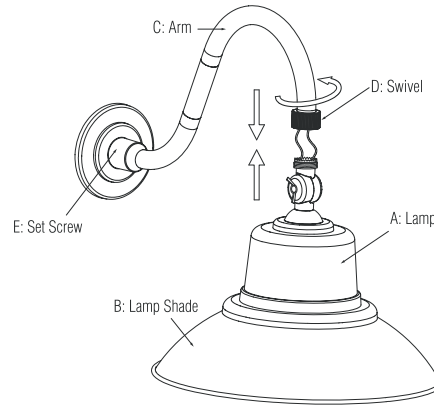
(Note: Some parts may be pre-assembled)



## Pre-Assemble Fixture

Connect Arm (C) and Lamp (A) through Swivel (D) and rotate Swivel to fasten two parts. Be careful not to misplace any of the hardware needed for installing the fixture.

**Note:** Tighten Swivel (D) until tight. Do not over tighten.



## Installation

**Caution:** Turn OFF the circuit breaker and light switch before beginning installation.

**Important:** Do not use this fixture with dimmers or timers. This fixture is suitable for wall mount only. It is not suitable for ground mount installation. For best performance, mount the fixture 2.4-3.6 m / 8-12 ft above the ground.

## Pull Out Wires Form Junction Box

Pull the electrical wires (Line, Neutral and Ground) out from the Junction Box.

## Attach Power Supply Wire

1. Connect the fixture ground wire (GREEN) to the ground supply wire using a wire nut (CC).
2. Connect the BLACK fixture wire to the BLACK (Line) supply wire using the wire nuts (CC).
3. Connect the WHITE fixture wire to the WHITE (Neutral) supply wire using the wire nuts (CC).
4. Carefully tuck all wiring back into the Junction Box, making sure there are no un-insulated wires. (Figure 3)

**Note:** For proper connection, place the wire nuts over the wires and twist clockwise until tight.

## Continued

**Recommended:** Wrap each wire nut with electrical tape (not included).

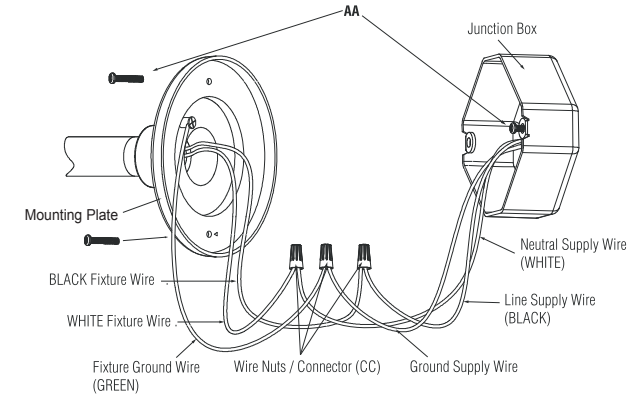


Figure 3

## Screw In Mounting Plate

Place the Mounting Plate over the Junction Box and screw in the Mounting Screws (AA). Adjust the fixture Mounting Screws (AA) until they match the holes on your junction box.

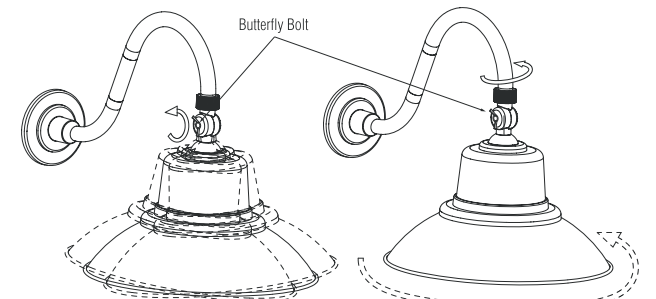
**Note:** Tighten Set Screw (BB) once Arm is fixed into place.

**Recommended:** Apply silicon caulk around edge of mounting plate to make it fully weatherproof.

## Adjust Fixture Angle

Following the arrow illustration to rotate swivel and butterfly bolt to adjust fixture angle that you want.

**Note:** Loosen Butterfly Bolt to adjust Lamp Shade and tighten when desire position is reached.





# Wall-Mounted LED Barn Light Instruction Guide

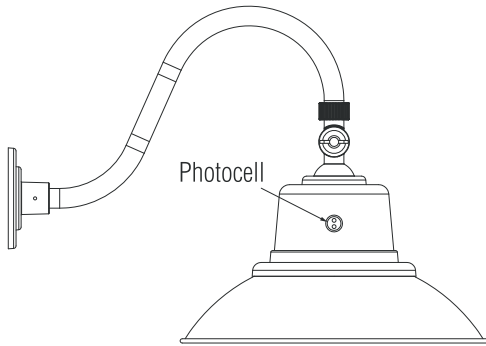
## Photocell

This light includes an integrated Photocell which activates the light during low illumination (At Dusk) and de-activates the light when illuminated (At Dawn).

	LUX	PHOTOCELL	FIXTURE
DUSK	< 60 LUX	ACTIVATES	ON
	60-120 LUX	NO ACTION	ON
DAWN	> 120 LUX	ACTIVATES	OFF
	120-60 LUX	NO ACTION	OFF

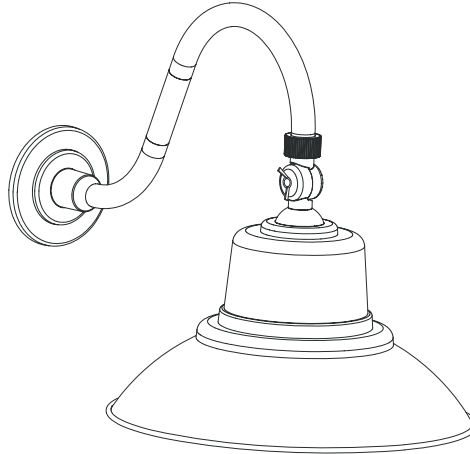
Note: Please make sure photocell is oriented in a direction where it will receive daylight, and will not be blocked by miscellaneous shadows.

If you'd like to deactivate the photocell, simply un-screw the plastic part, using a philips head screw driver and disconnect the wires located inside the photocell-eye.




## Troubleshooting

PROBLEM	POSSIBLE CAUSE	SOLUTION
Light will not come on.	A. Light switch is turned off. B. Fuse is blown or circuit breaker is turned off. C. Incorrect circuit wiring.	A. Turn light switch on. B. Replace fuse or turn circuit breaker on. C. Verify that fixture is wired properly.
Lights come on during the day.	A. Photocell covered.	A. Clean photocell with damp cloth.



## Support

For additional support, please contact one of HTM Lighting Solutions Sales Representative to further assist you at the contact information below:

 **Phone**  
+1 (813) 649-8899

 **Email**  
sales@htm-lighting.com

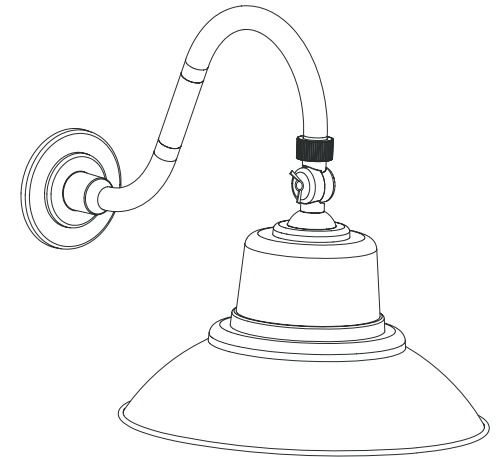


**HTM Lighting Solutions**  
6420 Benjamin Road,  
Tampa, FL 33634



## INSTALLATION GUIDE

### Wall-Mounted LED Barn Light



**Part #** HTM-AS10-GN15-25W-YYZZ

**Part #** HTM-BS14-GN15-42W-YYZZ

